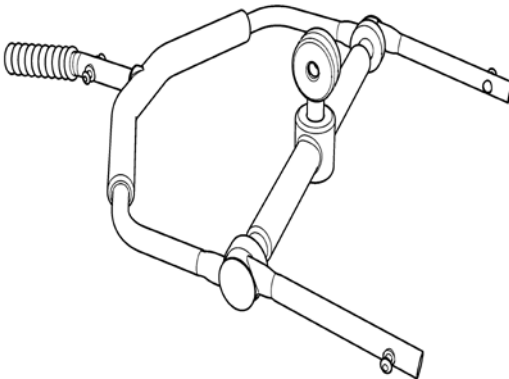


User Instruction Manual

Oxford® Shallow 4-Point Positioning Cradle

To avoid injury, read user manual prior to use.

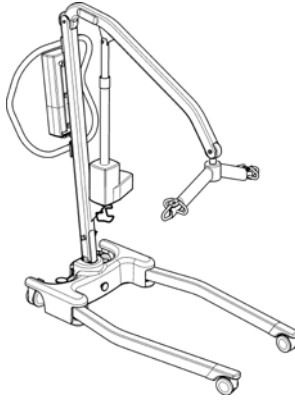


Contents

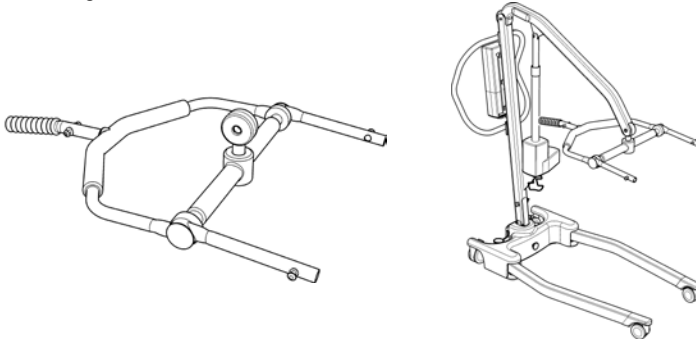
1. Your Oxford Shallow 4-Point Positioning Cradle.....	3
2. Safety Precautions.....	4
3. Component Parts.....	5
4. Assembly Instructions.....	5
5. Sling Attachment.....	8
6. Warranty.....	9

1. Oxford Shallow 4-Point Positioning Cradle

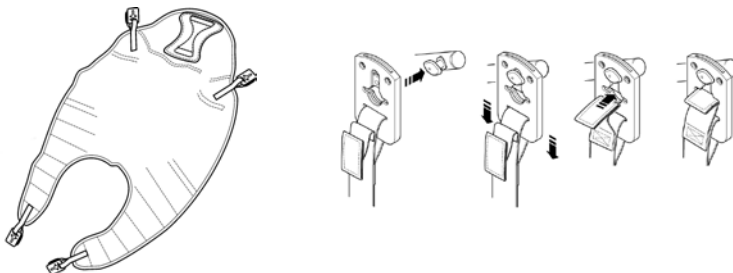
Your Oxford Advance lift is fitted with a 6-point spreader as standard.



As an after-market accessory you can retro-fit your standard 6-point spreader bar with a shallow 4-point positioning cradle.

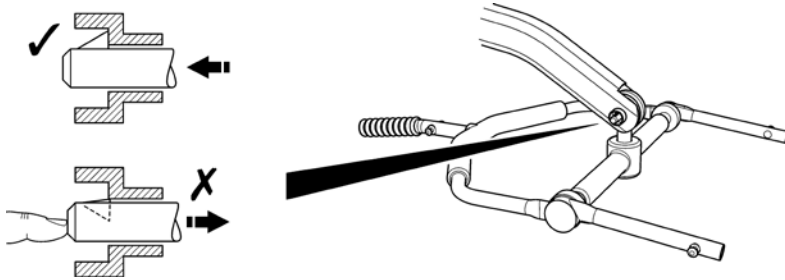


This option allows the use of Oxford Comfort slings featuring the Securi3 safety clip system.



2. Safety Precautions

Before using your shallow 4-point positioning cradle, ensure that the quick-release pin is FULLY ENGAGED as shown.



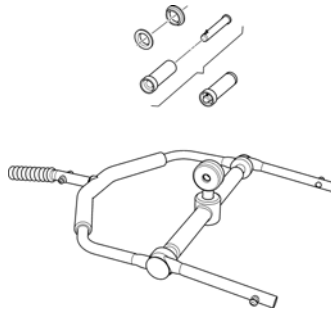
⚠ WARNING!

- The Oxford Advance is only compatible with the Oxford Advance 6-point spreader bar and the Oxford shallow 4-point positioning cradle.
- Do not use a sling unless it is recommended for use with cradle/lift.
- Always check that the sling is suitable for the particular patient and is of the correct size and capacity.
- Never use a sling which is frayed or damaged.
- Always fit the sling according to the user instructions provided (sling user instructions).
- Always plan your lifting operations before commencing.
- Always check that your Oxford shallow 4-point positioning cradle is in good working order prior to any lifting operation.

3. Component Parts

The following components are included with your shallow 4-point positioning cradle.

- 1 x Shallow 4-Point Positioning Cradle
- 1 x Quick-release pin
- 2 x Grey plastic washers
- 1 x Black plastic end cap (shown attached to cradle)
- 2 x 4mm hex keys (not shown)



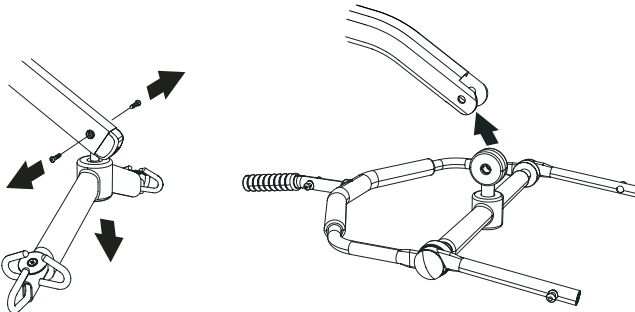
4. Assembly Instructions

Assembly is quick and easy but it is important that you follow the following list of procedures carefully:

FOLLOW THESE INSTRUCTIONS EXACTLY

Your Advance lift is fitted with a 6-point spreader bar as standard. To attach your new shallow 4-point positioning cradle you must remove it from the lift by loosening and unscrewing the attachment bolts as shown. This requires two 4mm hex keys (provided - see component parts).

Removal of existing 6-point spreader bar

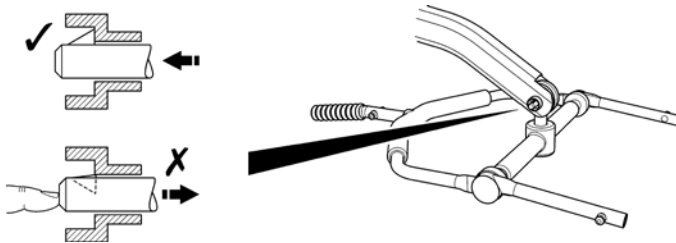
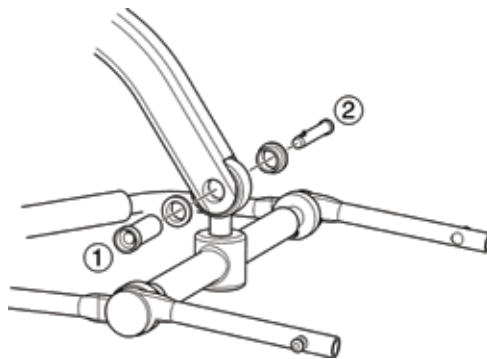


Once the standard fixing bolts are removed, connecting or disconnecting either system thereafter is completed easily by the use of a quick-release pin included with the shallow 4-point cradle. This is done quickly and easily, but you must read the following safety instructions to ensure the shallow 4-point positioning cradle/spreader bar is safely locked into position before use.

Connection

To connect, raise the shallow 4-point positioning cradle up towards the boom slot and position the 2 grey washers either side, once complete insert the pin sleeve through the black plastic end cap and support the shallow 4-point positioning cradle. Align the black plastic end cap in the boom slot and reinsert the quick-release pin fully into the sleeve until it locks into position. **YOU MUST CHECK THAT THE PIN IS SECURELY FITTED.**

To do this, press your finger into the barbed end. If the pin remains stationary the lift is safe to use.



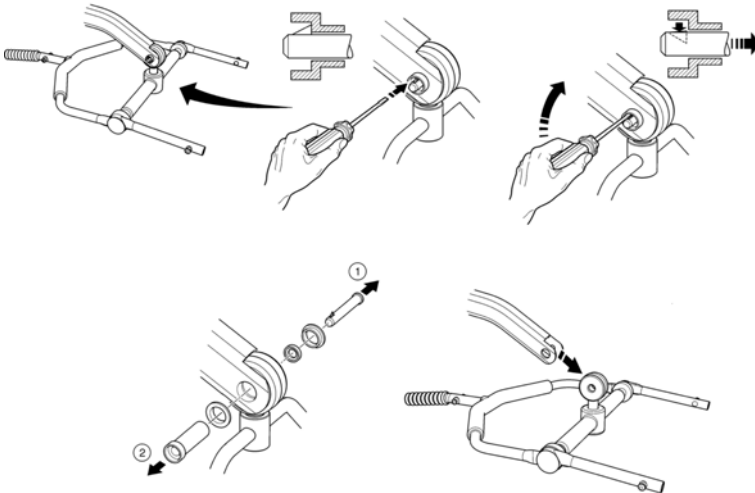
Removal

CAUTION: Be sure to support the weight of the shallow 4-point positioning cradle before removing the pin.

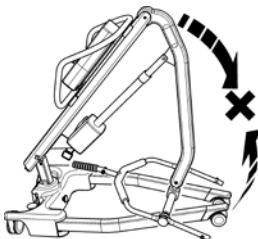
To detach pin, depress the spring barb (using a flat blade screw driver or similar) and pull the pin out.

Support the shallow 4-point positioning cradle, and then pull the pin sleeve in the opposite direction, removing it completely from the boom. This will release the cradle completely.

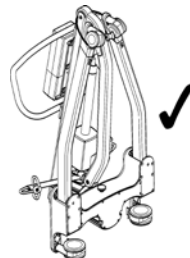
NOTE: Retain the 2 grey washers when removing quick-release pin.



NOTE: Your Advance lift can be used with either the 6-point spreader bar or the shallow 4-point positioning cradle safely and effectively. HOWEVER, when using the shallow 4-point positioning cradle, the Advance will be unable to fold in its standard configuration due to the shape of the shallow 4-point positioning cradle. The correct folded orientation is shown below.



Shallow 4-Point Cradle

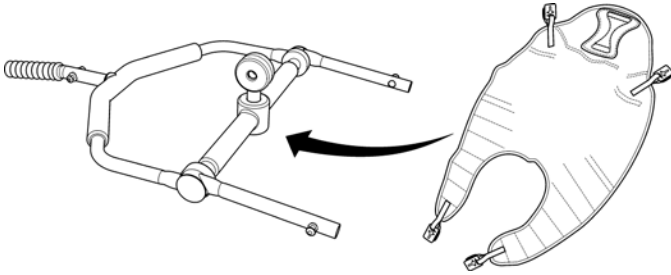


6-Point Spreader Bar

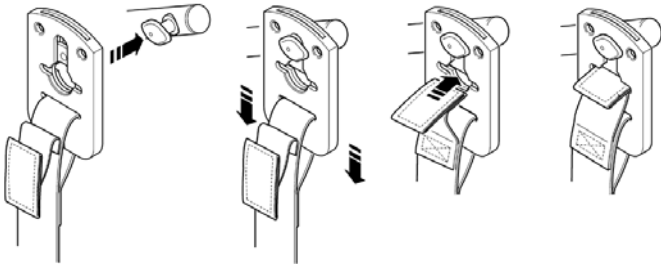
5. Sling Attachment

Attachment of Comfort sling to your shallow 4-point positioning cradle.

The comfort sling attaches to the cradle studs via a safety clip system (shown below); each sling is supplied with user instructions. Please study the instruction guide before use.



Example of Securi3 safety clip system. The 3 key stages assure the patient and carer of safety and comfort throughout the transfer.



Sling attachment system (Securi3).

6. Warranty

Joerns Healthcare has an established network of reputable distributors and dealers who will be pleased to handle all your purchasing, warranty, repair and maintenance enquires.

This product is guaranteed for a period of twelve months from the date of manufacture or twelve months from the date of purchase if commissioned by an authorised dealer. We recommend that all of our products are commissioned by your dealer and are supported by them for future servicing.

The dealer or distributor operates the warranty programme, so it is important to keep a record of their name address and telephone number so they can be contacted should any problem arise.

If you are in doubt as to where your product was purchased, Joerns Healthcare can trace the supplier if you quote the serial number of the lift. Contact details can be found on the rear cover of this manual.

REMEMBER: Contact your distributor for purchases, warranty, repairs, servicing and certified maintenance.

Your distributor:

