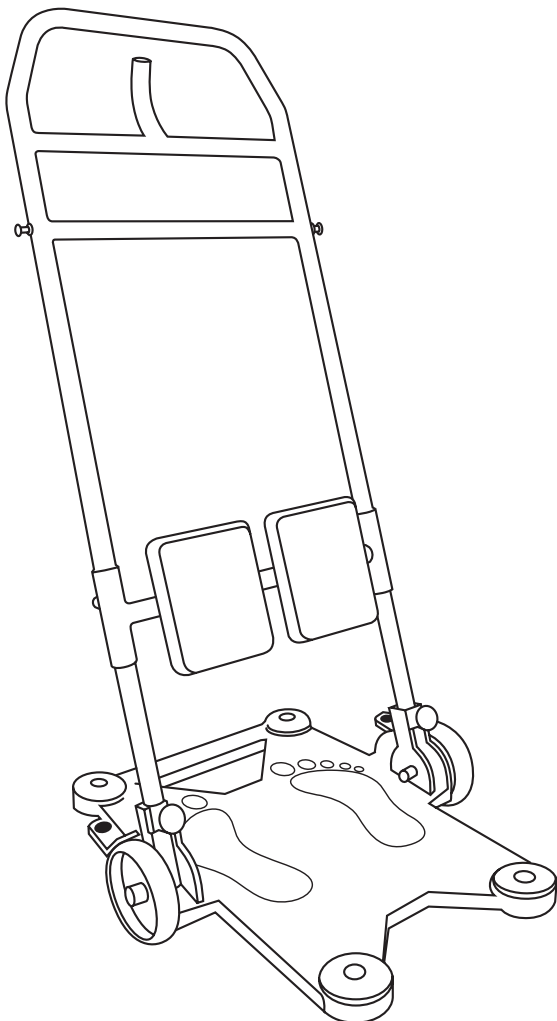


# Parts Manual

## Oxford® Switch



NO	PART NUMBER	DESCRIPTION	QTY
1	39001833	Corner Castors (Inc. Castors x4, Fixings)	1
2	39001834	Centre Wheels (Inc. Wheels x2, Fixings)	1
3	39001835	Frame Section (Inc. Frame x1, Knee Pad Sliding Section x1, Quick Release Pins x2, Securing Knob x2)	1
4	39001836	Brake Pedal Assembly (Inc. Pedal x2, Red Tabs x2, Green Tabs x2, Fixings)	1
5	39001837	Base Plate	1
6	39001838	Knee Pads with Fixings (Inc. Knee Pad x2, Fixings)	1
7	39001823	Knee Pad Covers x2	1
8	39001839	Frame Locking Knobs x2	1
9	39001840	Quick Release Pins x2 (For Sliding Knee Pad Section)	1
N/S	56000742	Decal Set (Not shown)	1

